

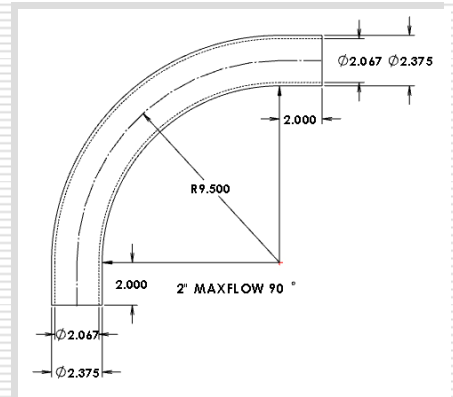


MAXFLOW "Energy Saving" 90° Sweeps

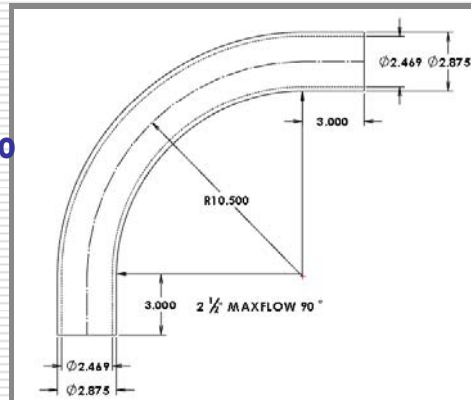
ADVANTAGES:

- Longer Equipment Life
- Energy Savings*
- 50% More Efficiency Over Standard Molded 90°
- Extruded Pressure Rated SCH40 NSF PVC Pipe
- Reduces Flow Friction and Head Pressure Loss
- Reduces Operational Costs

2" MAXFLOW 90°



2½" MAXFLOW 90°



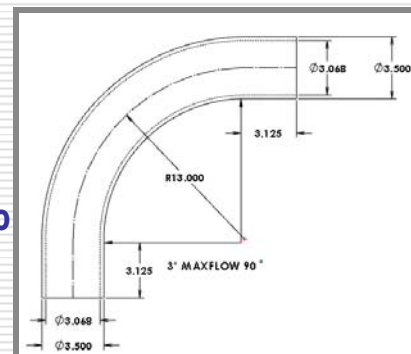
Pressure Ratings:

- 2" – 280 psi**
- 2½" - 300 psi**
- 3" – 260 psi**

Part #'s:

- 2" – MF409020**
- 2½" - MF409025**
- 3" – MF409030**

3" MAXFLOW 90°



*For Maximum Savings On Any Swimming Pool We Recommend Cleaning Your Filter Every 2 Months